



BUILT-IN GAS HOB

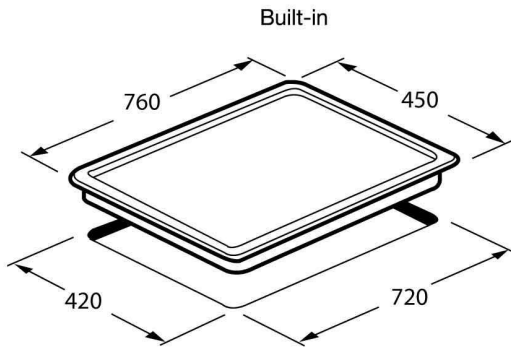
Barcode : 8851737033098

Model name : HB76-2TRDFD/MSI

DETAILS:

| | |
|--|--|
| Electrical Supply | DC, Battery size D x 1 |
| Safety | Flame failure device with quick acting thermocouple |
| Ignition | Electric ignition under knob (one hand ignition) |
| Gas type | LPG |
| Gas working pressure | 0.04 kg/cm ² |
| Gas inlet port (connect with LPG hose) | Ø 9.5 mm. |
| Cutting size | 720 x 420 mm. |
| Cabinet | 800 mm. |
| Type of installation | Inset into the worktop from above |
| Minimum clearance between cooktop and hood: | 700 mm. |
| Minimum clearance between furniture | 150 mm. with thermal insulation fitted |
| Recommendation | For the appliance with more than 12kW, room ventilation, room size and hood must be observed |

Technical Drawing



Technical detail

| | | |
|--------------|---|---------------|
| Power max | : | 10,000 W |
| Dual | : | 2 x 5,000 W |
| Dimension | : | 760 x 450 mm. |
| Cutting size | : | 720 x 420 mm. |
| Weight Gross | : | 13.5 Kg. |

FREE 1 x Cast iron wok support

