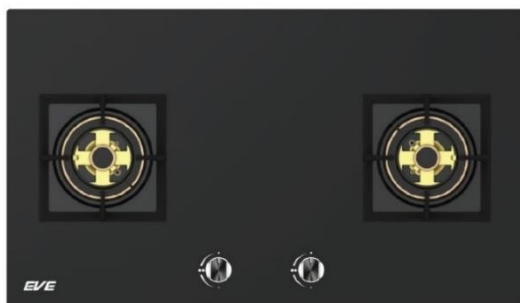


## BUILT-IN GAS HOB

**Barcode:** 8851737033920

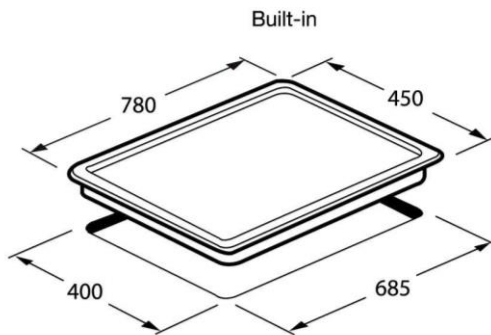
**Model name:** HB78-2BBL/BG



### DETAILS:

<b>Electrical Supply</b>	DC, Battery size D x 1
<b>Safety</b>	Flame failure device with quick acting thermocouple
<b>Ignition</b>	Electric ignition under knob (one hand ignition)
<b>Gas type</b>	LPG
<b>Gas working pressure</b>	0.04 kg/cm <sup>2</sup>
<b>Gas inlet port (connect with LPG hose)</b>	Ø 9.5 mm.
<b>Cutting size</b>	685 x 400 mm.
<b>Cabinet</b>	800 mm.
<b>Type of installation</b>	Inset into the worktop from above
<b>Minimum clearance between cooktop and hood:</b>	700 mm.
<b>Minimum clearance between furniture</b>	150 mm. with thermal insulation fitted
<b>Recommendation</b>	For the appliance with more than 12kW, room ventilation, room size and hood must be observed

## Technical Drawing



## Technical detail

Power max	:	12,000 W
Dual	:	2 x 6,000 W
Dimension	:	780 x 450 mm.
Cutting size	:	685 x 400 mm.
Weight Gross	:	14 Kg.