

EVE

Instruction Manual

**Cooker Hood
OLYMPUS 90 CM**

Email: service@eve.co.th, support@eve.co.th

www.eve.co.th

Contents

Warnings	2
Caution	2
Safety Warning	3
Product structure schematic	4
The attachment list	4
Outline dimensions	5
Control panel and function comments	5
Precautions	6
Daily maintenance	6
Product parameters	9
The installation guide	10
Installation instructions	12
Electrical schematic diagram	13
Clean and maintain	13
Trouble Shooting	14
After service	14
Warranty notice	15


Warnings

- This appliance is not intended for use by persons (including children) with reduced physical, sensory or mental capabilities, or lack of experience and knowledge, unless they have been given supervision or instruction concerning use of the appliance by a person responsible for their safety. Children shall not play with the appliance. Cleaning and user maintenance shall not be made by children without supervision. If the supply cord is damaged, it must be replaced by the manufacturer, its service agent or similarly qualified persons in order to avoid a hazard.
- There shall be adequate ventilation of the room when the range hood is used at the same time as appliances burning gas or other fuels.
- Please do not use corrosive detergent for cleaning. The proper function of the unit is conditioned by the regularity of the maintenance.
- To protect the main body from corrosive of the long time accumulation of dirt, the cooker hood should be cleaned with hot water with non-corrosive detergent every two months.
- There is a fire risk if cleaning is not carried out in accordance with the instructions.
- Do not flame under the range hood.
- The air must not be discharged into a flue that is used for exhausting fumes from appliances burning gas or other fuels.
- The minimum distance between the supporting surface for the cooking vessels on the hob and the lowest part of the range hood. (When the range hood is located above a gas appliance, this distance shall be at least 65 cm.
- Regulations concerning the discharge of air have to be fulfilled.

CAUTION

1. Accessible parts may become hot when used with cooking appliances.
2. The first time connecting the supply power or re-up electricity , the hood have self-inspection function, the top glass plate will open and close one time, so minds your hand to be pinched, not to handle your hand near the panel!"

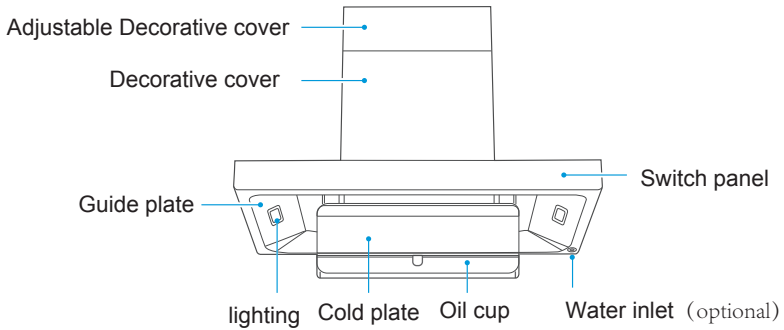
LED light information

	Max Power	Voltage	Picture	Lamp Cap
Square / Diameter: 120mm x 33.2mm	1.5W	DC 12 V		---

Warranty notice

- The appliance is not intended for use by young children or infirm persons without supervisions.
- Young children should be supervised to ensure they do not play with the appliance.
- Plug the power cord to socket outlet with earthing continuity terminal.
- The cooker hood is for home use only, not suitable for barbecue, roast shop and other commercial purposes.
- The cooker hood and its filter should be cleaned regularly according to the instruction.
- Do not use open flame, or allow oil to go beneath the appliance.
- If there is any fault occurred with the appliance, please call after-sale service department.
- Please keep the kitchen room ventilated.
- Prior to any maintenance, cleaning operation, ensure the power is cut off.
- If the supply cord is damaged, it must be replaced by the manufacturer, service agent or similarly qualified person in order to avoid a hazard. The replaced power cord should be provided by manufacturer or seller.
- If the plug or cord is damaged, please call after-sale service center.
- There is a fire risk if cleaning is not carried out in accordance with the instruction.
- In case of damaged connecting wire, please refer to the manufacturer, after-sale service personnel or other qualified technicians.
- Use the unit according to the instructions to avoid any fire hazard.
- The exhaust air must not be introduced into a smoke flue or chimney that is used for exhausting fumes from appliances burning gas.
- Follow the local laws applicable for external air evacuation.
- As the upper panel is closing, don't put your hands between the upper panel and the body in case of clamp your hand.
- As steam generator is working, be careful of hot steam out of the body.

Product structure schematic

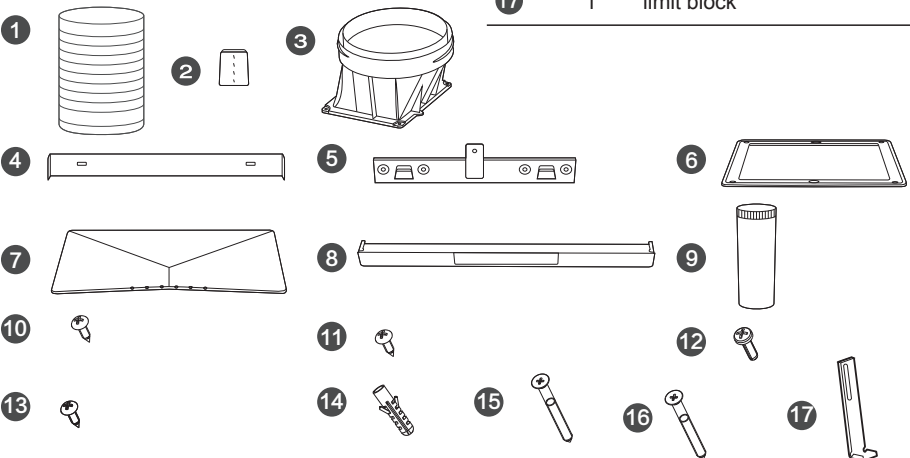


The attachment list

Ref.	Qty.	Product Components
①	1	Exhaust pipe
②	1	Filter cotton
③	1	Check valve
④	1	Decorative cover plate
⑤	1	Installatinon plate
⑥	1	Check valve sealing gasket
⑦	1	Cold plate
⑧	1	Oil cup

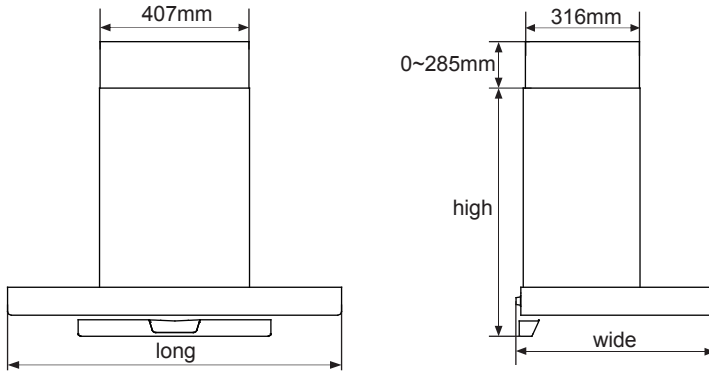
Note: filter cotton in water cup.

Ref.	Qty.	Product Components
⑨	1	Water cup
⑩	2	Screws(ST2.9×9.5)
⑪	4	Screws(ST4.2×16)
⑫	1	Screw (M5×16)
⑬	2	Screws(ST4.2×9.5)
⑭	7	Plastic expansion pipe
⑮	6	Cross - groove countersunk head wood screw. (M5×50)
⑯	1	Screw(ST5×45)
⑰	1	limit block



Outline dimensions

See page 8 specification for long and wide dimensions








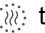



Control panel and function comments

It can be used after power supply

Short press:0.5 second

Long press:2~3 seconds



	Light	Short press:Turn on or off the light ; Long press:Adjust the light.
	Gesture	Short press: Turn on/off gesture control.
		Palm from left to right or from right to left is to start the range hood
	Steam washing	Long press: Start;(12 minutes steam wash) After the steam wash starts, short press once  to skip the steam wash, enter 3 minutes to air dry, short press twice  to end the neat wash
	Turbo	Short press: Start up (09 speed), return to 02 speed after 3 min,please select manually if needs it to continue.
	Speed	Short press: Adjust speed .
	Switch	1 st Short press:Start up(high speed); 2 nd Short press:Delay 3 min; 3 rd Twice short press :OFF immediately.

Precautions

- Please note that the power supply voltage and frequency should be consistent with the voltage and frequency required by the product.
- Please make sure that the oil cup has been properly installed.
- In the cooking process, please keep the kitchen environment well ventilated or open the cigarette smoking function.
- In the process of use, if abnormal conditions (abnormal noise, odor, smoke, fever), the power should be shut off immediately, unplug the plug.
- Do not plug the power cord with wet hand.
- Do not pull the power cord to pull out the power cord plug.
- If you do not use the cooker hood for a long time, please unplug the power cord.
- When the cooker hood is working, it is forbidden to put the hand into the fan operation area.

Daily maintenance

Surface cleaning

1. Always clean the surface and screen of the cooker hood. Do not use clean ball, brush or coarse cloth to avoid scratching the surface of the machine.
2. When the oil cup window can be seen in the oil, please timely dump, otherwise it may spill out of the stove.
3. Cleaning screen method: according to the removal guide of the condenser plate and the filter screen (see page 7), remove the condensation plate and filter screen, and put the filter net into the warm water with neutral detergent, and then use the soft brush to clean it.

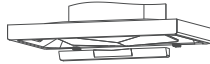


Daily maintenance

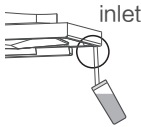
90M80-ET22

Steam washing (machine internal cleaning)(only applicable to take away steam washing machine)

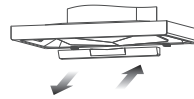
- 1** Indicator light flashing
The instructions require steam washing.
- 2** **1** remove oil cup
2 Pour out the product oil
3 Put back into the oil cup
- 3** Water cup is filled with pure water to live distilled water.



- 4** Insert the water cup aqueduct into the inlet.
- 5** Long press the steam washing button to start the steam washing for 3 seconds.





- 6** 12 minutes steam washing and 3 minutes air drying
- 7** **1** Remove oil cup
2 Pour out the product water
3 Put back into the oil cup



Steam washing process

start → washing → drying → over

1. Cancel the steam washing reminder (not washing):
Long press 3 seconds + short press twice  to fast forward to the end.
2. Fast forward or end in advance (during washing) :
Short press  again to fast forward to the next step.

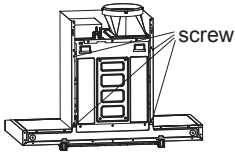


During steam washing, do not touch the surface of glass panels or deflector to avoid scalding.

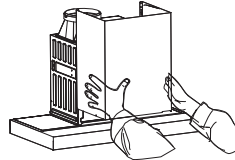
Internal clean

Cleaning impeller and volute should be completed by professionals.

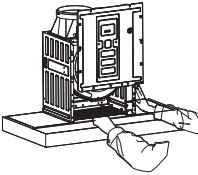
- 1 First, unplug the power plug, remove the machine and place it in a reliable position, remove the decorative cover and set screw.



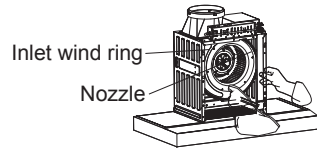
- 2 Remove the decorative cover



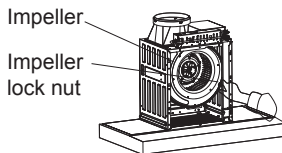
- 3 Remove the screws on the frame cover and remove the frame cover.



- 4 Remove the screw from the volute and the nozzle, and remove the inlet wind ring.



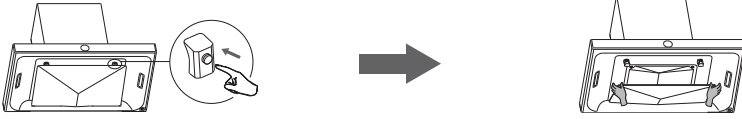
- 5 Turn the lock nut and remove the impeller in the direction of the motor shaft.



- 6 Clean the impeller and volute inside and outside with a soft brush with neutral detergent, and then install it in reverse order.

Guide for disassembly of condensates and filters

Remove the condenser plate to indicate



1. Hold the condenser with both hands, and press the left and right sides to open the condenser.

2. After the condenser is opened, hold the condenser with both hands and remove it horizontally.

Remove the filter screen to indicate



1. Hold the mesh by hand, use the cross screwdriver to top the filter to the left and right sides of the filter, open the screen.

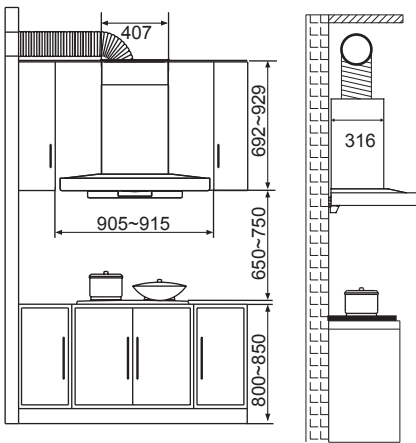
2. After the filter is opened, both hands shall be taken out of the filter screen along the horizontal direction.

- Noise: for the sound power level of A, the average sound pressure level noise is 55dB (A).
- Wind volume, maximum static pressure: the measured value and the express value should not exceed the value of -10%.
- Net weight: refers to the machine's own weight plus the installation and use of light accessories, including hanging board, check valve, exhaust pipe, screw, etc.
- Stir-fried function: when running function for a while, air volume for 20 m³ / min.

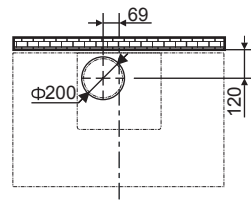
The installation guide

1 To determine the location (unit: mm)

The range hood machine should be installed horizontally and above the cooker. The installation diagram is as follows:



Schematic diagram of opening size of exhaust pipe at the ceiling



The center line of range hood machine

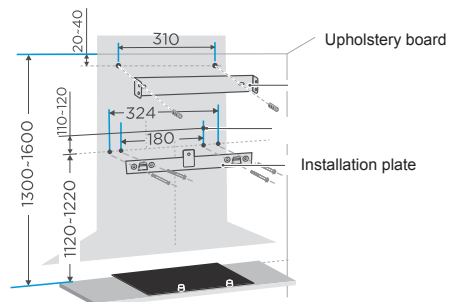
Exhaust pipe to the cabinet installation diagram

Installation precautions

- After installation of the cooker hood, the left and right level should be maintained.
- Should avoid excessive Windows and air convection in the vicinity of the cooker hood, otherwise it will affect the efficiency of the cooker hood.
- Exhaust pipe requirements.
- The exit of the exhaust pipe should not be too long.

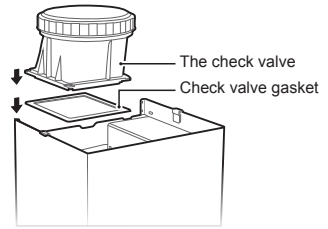
2 The installation (unit: mm)

As shown in the picture on the right in the out of the wall of 4 to 8 mm diameter, depth of 50 ~ 60 mm hole, plastic expansion pipe pressure inside the manhole, provided with M5 * 50 countersunk head wood screws to fix the body panels and reliable.



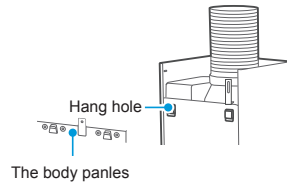
3 Install check valve

Install the check valve components together with the check valve seal pad in the position of the rack outlet, tighten with 4 ST4.2 x 16 screws at random, check and make sure that the disc is rotating flexibly.



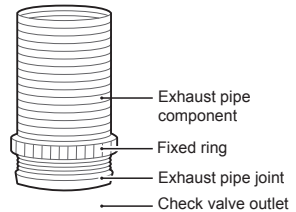
4 Range Hood Installation

Align the hanging hole at the back of the machine with the hook of the hanging plate of the machine body, hang it in from the top down to confirm the level and firm installation of the machine body, hold the limit block against the smoke machine, and fix the limit block reliably with M5*45 screws to prevent the machine from falling off accidentally.



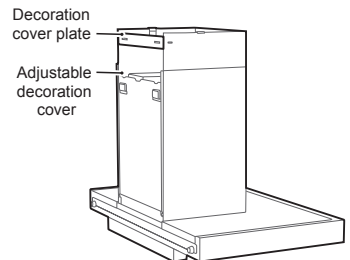
5 The install exhaust pipe

Will exhaust pipe fixed ring on the exhaust pipe component, one end of the exhaust pipe components installed with loaded check valve outlet, then exhaust pipe fixed ring threaded on the check valve, pressure exhaust pipe joint. At the end of the exhaust pipe, the other end of the pipe is directed to the indoor or public flue. If the exhaust pipe does not match with the public exhaust pipe, it can be converted to the after-sales department to purchase the pipe reducer. If the pipe is too long, please adjust the long pipe to the contraction state and fix it with adhesive tape to prevent the pipe from swinging during the working process.



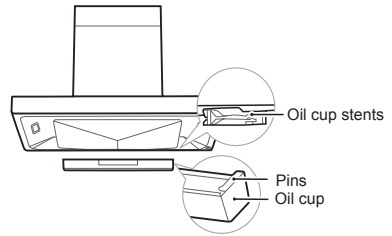
6 Install adjustable decorative cover

According to the installation height, adjustable decoration to cover the required in the out of the wall two phi 8 mm diameter, depth of 50 mm hole, the expansion pipe pressure inside the manhole, provided with two M5 x50 cross slots countersunk head wood screw will cover decoration hangs Taiwan reliable fixation. Adjustable decorative cover to the corresponding height, and use the 2 ST4.2 x 9.5 cross flat head self-tapping screw with random equipment on the wall.



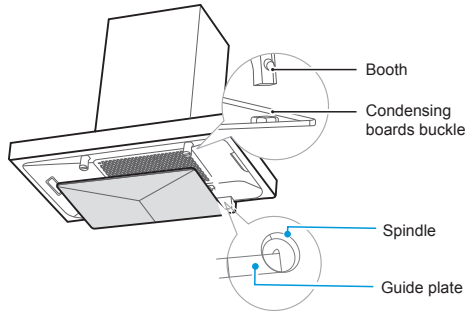
● Install Oil cup

Hold the bottom end of the oil cup with both hands and place the oil cup horizontally. Insert the oil cup into the holder of the oil cup holder and push the oil cup back to the county seat.



8 Install cold plate

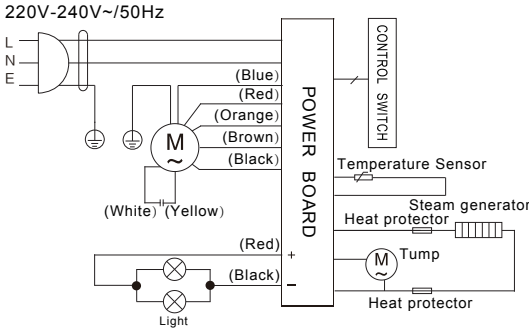
The hands hold the cold plate, cold plate rotation of a shaft insertion on the guide plate hook slot, turn up, insert the condensation plate card buckle on the guide plate in the booth, fixed can.



Daily maintenance

- This range hood machine is an external exhaust type cooker hood machine, and the gas discharged from the cooker hood machine should not be discharged into the hot flue gas used for the discharge of smoke burning gas or other fuel.
- If the range hood is installed above the gas stove, the distance from the bottom of the body to the focal plane is at least 650mm, which should be considered if the installation instructions of gas-fired stoves provide a larger installation distance.
- It is strictly forbidden to modify the product without authorization, and the power cord shall not be replaced or modified by itself.
- Please do not install the cooker hood machine on the wall of flammable material.
- Do not install the cooker hood machine on the top of the stove with solid fuel.
- When drilling holes in the wall, avoid electrical wires embedded in the wall to avoid electric shock hazard.
- A special power supply socket shall be used for the cooker hood machine, and the special power outlet should be reliably grounded (the product must use 10A, 220~v or above).
- The wall shall have sufficient supporting strength for the installation of the cooker hood machine. The hollow core of the hollow wall shall be greater than 30mm, and the concrete wall can be directly punched and installed. The machine must be securely mounted on the wall.
- The cooker hood machine may have very sharp edges. Please wear protective gloves when you install or clean the cooker hood machine.
- If your kitchen is under a state of decoration, do not use cooker hood exposed, for building materials, dust, paint, coatings and their volatile gas cooker hood surface causes corrosion and lose luster, please install cooker hood in after the decoration.

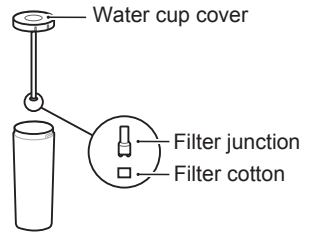
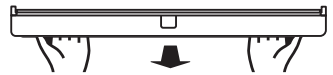
Electrical schematic diagram



Clean and maintain

Before cleaning, please note that when you need to clean the condenser and screen, cut off the power and unplug the power.

- It is recommended to maintain and maintain the washing machine regularly. It is recommended to use dry cloth after cooking or to occupy the inner and outer surface of the wet cloth cleaning machine with neutral detergent. Do not use gasoline, acid, benzene, this solvent or any other chemical to clean the cooker hood.
- When the oil cup in the oil cup is filled with oil cup clean line, please clean the oil cup in time. The oil cup disassembly is as follows: hold the lower part of the oil cup with both hands, and remove the oil cup horizontally; After cleaning, install the oil cup in reverse order.(the oil cup is longer, please keep the level when the oil cup is removed so as not to overflow the oil.)
- Regularly replace the filter cotton.
The attachment is equipped with 5 filter cotton for replacement. In order to ensure better steam cleaning effect, a replacement can be made every two years. Replace the filter cotton: open an Angle according to the direction on the lid of the water cup, then take out the water cup cover along the vertical direction. Remove the filter cotton at the filter junction.
- When the lighting is needed (by professionals), please remove the power plug first. Insert a small screwdriver into the gap between the lamp and the guide plate and gently pry open and remove the lamp. Replace the new lamps with the same specifications and install them in the mounting holes of the guide plate.



Trouble Shooting

Fault	Solution
Both light and motor do not work	Unplug power plug and reconnect the power supply.
Oil leakage	Oil cup tilt, please reinstall.
	Oil cup full filled with oil, please dump the oil.
	Oil-way blockage caused by long time uncleaned internal oil-way, needs professionals to wash the hood.
Insufficient suction	Avoid opening window or door frequently.
	Adjust to max. speed.
Steam washing fault	Water cup lack of water, please fill with water.
	Filter cotton blockage, please change the filter cotton.

After service

Product non-artificial breakdown within warranty period from purchase date will be offered free repair service based on invoice. Damage due to improper use, out of warranty and poor maintenance will be repaired by our company but charging certain maintenance cost. Please don't tear off the product bar code so that the repairman can verify the record. Please read the warranty notice concerning other matters. In addition, instructions are also available in an alternative format on official website of the manufacturer.

Warranty notice

First, to safeguard your interests, please fill out the installation service card carefully and retain the receipt for warranty.

Second, the product purchased in our company that has breakdown due to quality problem can be repaired at designated special service department based on valid purchase proof. Free repair is offered within warranty period (from the date of purchase proof issued).

Third, the following situations, we are not responsible for product "Three Guarantees" repair service but still provide charging service:

- 1) The product damaged due to improper use or poor safekeeping.
- 2) The product damaged not caused by installation or maintenance of special service department staff.
- 3) The product without valid purchase proof.
- 4) The product's purchase proof has been altered.
- 5) The product model and body code registered on installation service card is inconsistent with the model and body code of the product to be repaired.
- 6) The product damaged due to the instability of power voltage or exceeding normal voltage scope (198-242) V.a.c, or power circuit installation not meeting the national electrical installation requirement.
- 7) The product sold at discounted price or with "OFF-Grade" and "Substandard Goods" printed on installation service card or the body.
- 8) Product damaged due to irresistible natural disaster.
- 9) Product warranty period is expired.
- 10) The product damaged by the unsuitable and improper method specified in instruction book.

Fourth, if your reasonable service demand can't be solved by special service department or dissatisfaction with their service, please make an immediate call or write a letter to our customer service center, we will provide you with our service.

Disposal



Please dispose of it at your local community waste collection / recycling center and ensure it presents no danger to children while being stored for disposal. The plug must be rendered useless and the cable cut off to prevent misuse.

The manufacturer shall decline all responsibility if the foregoing recommendations and instruction regarding installation, maintenance and use are not observed and respected when using the cooker hood.